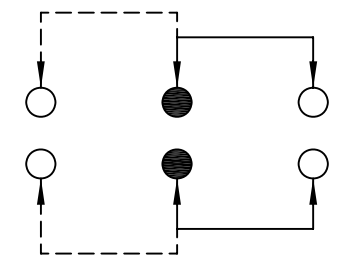
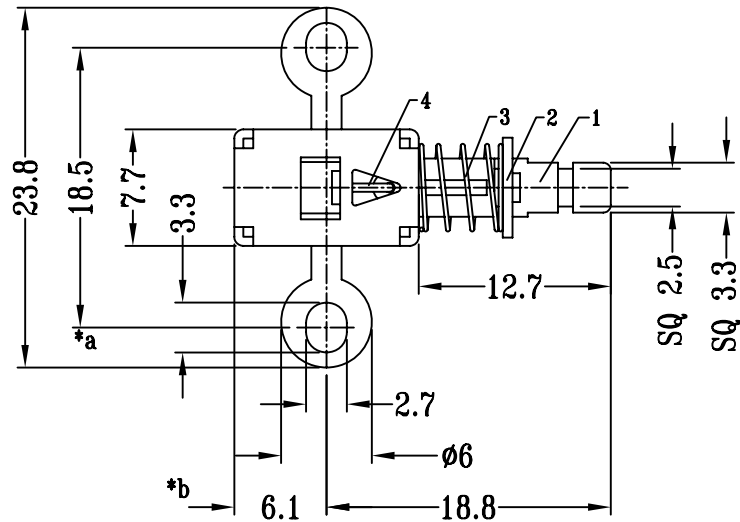
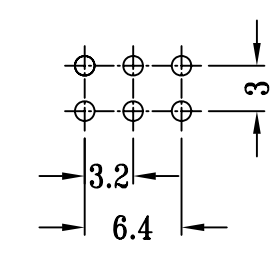
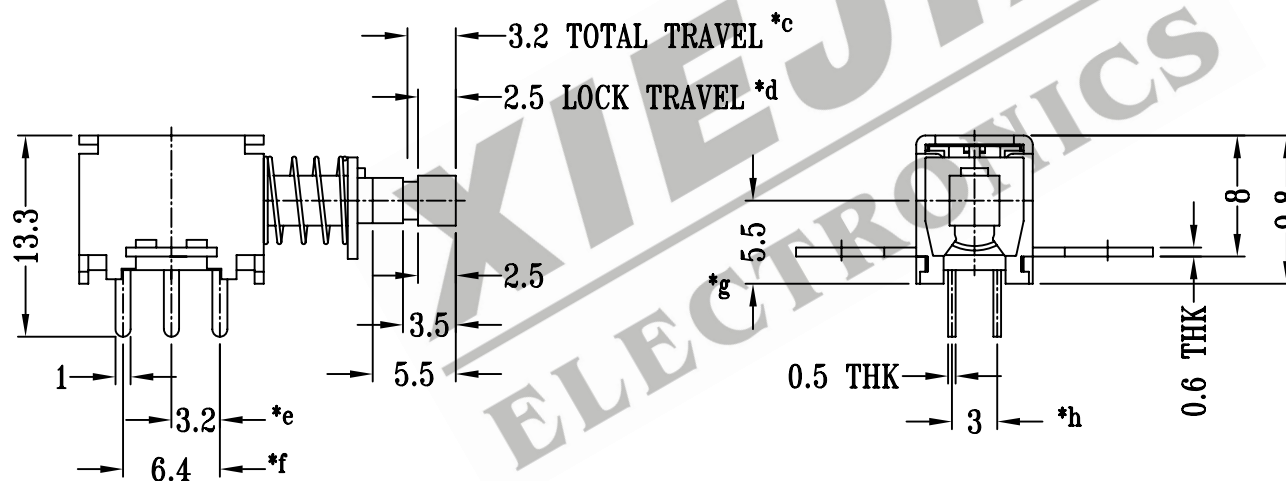


CAD FILE:



SCHMATIC (NON-SHORTING)



P.C.B LAYOUT

注:带"*"表示关键尺寸(8个)

9	CONTACT CLIP	PBS STRIP	2	Ag PLATED	TOLERANCE UNLESS SPECIFIED	SHENZHEN XIEJIA ELECTRONICS CO.,LTD.						
8	TERMINAL	BRASS STRIP	6	Ag PLATED OVER Ni PLATED								
7	BASE	PHENOLIC RESIN	1	NATURAL	WITHIN : 1.5±0.1mm OVER : 1.5±0.2mm	ISSUE	DATE	DESCRIPTIONS OF REVISION		APPD.		
6	FRAME	STEEL STRIP	1	Ni PLATED								
5	SPRING PLATE	PBS STRIP	1	NATURAL	TITLE : PUSH SWITCH		UNIT : mm	DRWG NO.: XJ-DR-PS22F52-00				
4	LOCK NEEDLE	PBS WIRE	1	NATURAL	MODEL: PS-22F52 (LOCKED)		SCALE: 2 : 1	DWN.	ZHOUYU	2005-2-1		
3	SPRING	STEEL WIRE	1	Ni PLATED	ALL MATERIALS MUST BE COMPLIANT TO ROHS					CHK'D	FANGYING	2005-2-1
2	BLOCK	STEEL STRIP	1	Ni PLATED						APPD.	KANGXINAN	2005-2-1
1	KNOB	POM	1	BLACK								
NO.	PARTS	MATERIALS	Q'TY	FINISH								